

# OL 700-FCS Field Calibration Standard



## GENERAL

The OL 700-FCS Integrating Sphere Calibration Standard is a convenient, compact calibration source used to perform or verify the system response calibration for radiance measurements of an OL 770-DMS spectroradiometric measurement system.

The OL 700-FCS consists of an optics head and a separate power supply. This enables remote location of either unit, which facilitates alignment or positioning of the source with respect to the device to be calibrated where in-situ calibrations are a must.

## OPTICS HEAD

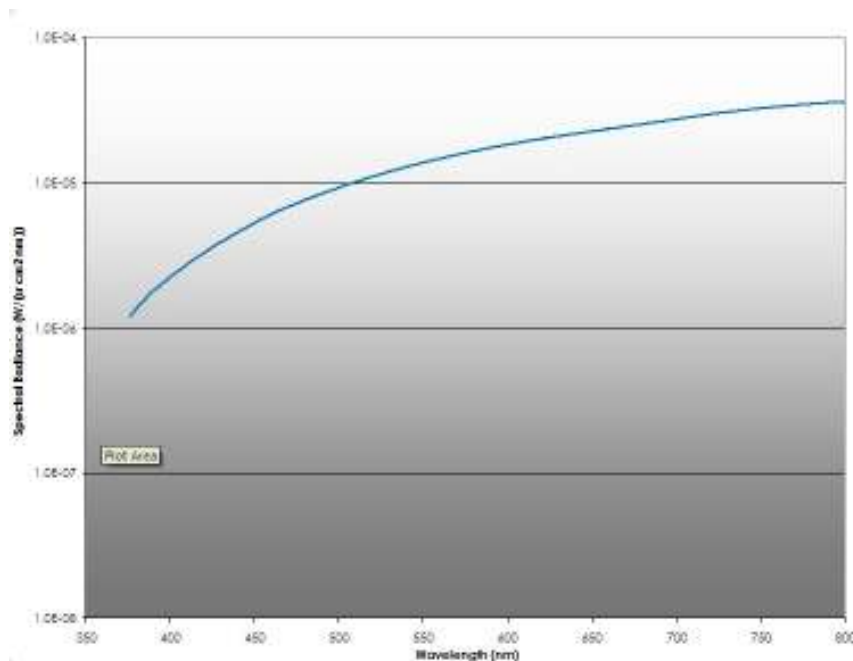
The Optics Head consists of a PTFE coated 2-inch integrating sphere with an integral 10 watt, tungsten halogen lamp source mounted at the entrance of the 2-inch sphere. The source assembly has a 0.394 inch (10 mm) diameter exit port.

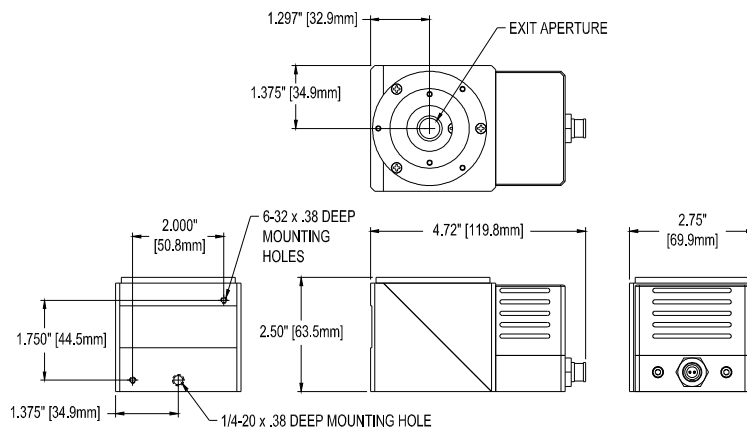
## POWER SUPPLY

The power supply is a highly regulated DC constant current design optimized for source stability and accuracy.

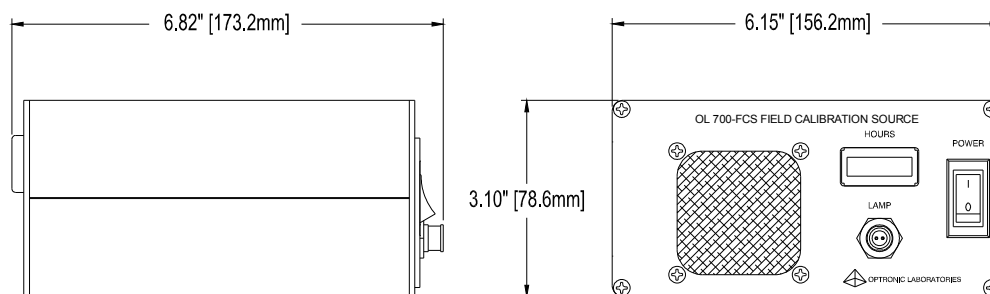
## CALIBRATION OPTIONS

- 700-FCS-1 ..... luminance, color temperature, spectral radiance (370 - 800 nm)
- 700-FCS-2 ..... luminance, color temperature, spectral radiance (370 – 1110 nm)





OL 700-FCS Field Calibration Source



OL 700-FCS Power Supply

## SPECIFICATIONS

### Source

Dimensions ..... 4.68 in x 2.75 in x 2.50 in (11.88 cm x 6.98 cm x 6.35 cm)  
 Weight ..... 1.5 lbs (0.68 kg)  
 Lamp Type ..... 10-watt tungsten halogen  
 Exit aperture ..... 0.394 (10.0 mm) diameter

### Power Supply

Dimensions ..... 6.63 in x 6.15 in x 3.10 in (16.54 cm x 15.62 cm x 7.87 cm)  
 Weight ..... 2.0 lbs (0.90 kg)  
 Power Requirement ..... ~ 15 Watts  
 AC Power Input ..... 85 VAC to 265 VAC, 50/60 Hz